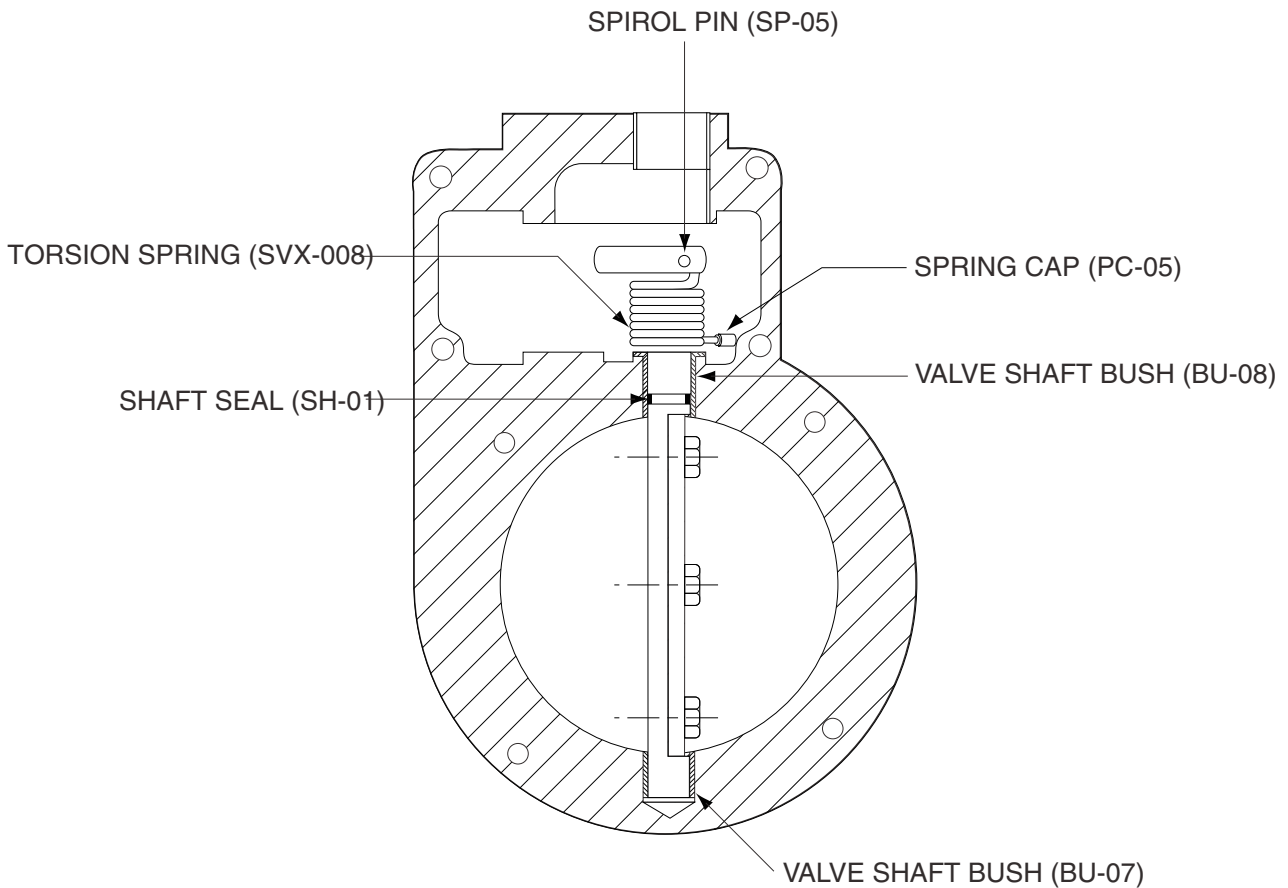


SPARES IDENTIFICATION: Shut Down Valve Types
SVX-300 SVX-320 SVX-500 SVX-520
SVX-301 SVX-330 SVX-501 SVX-530



Solenoid Replacement Kits (includes special plunger and modified valve cover)	
Kit Part No SVX-319:	For 12 volt flameproof valves SVX-320 and SVX-520
Kit Part No SVX-318:	For 12 volt non-flameproof valves SVX-300 and SVX-500
Kit Part No SVX-316:	For 24 volt flameproof valves SVX-330 and SVX-530
Kit Part No SVX-315:	For 24 volt non-flameproof valves SVX-301 and SVX-501

Chalwyn by AMOT
 sales@chalwyn.co.uk
 www.chalwyn.com

A division of Roper Industries Limited

UK Western Way Bury St Edmunds Suffolk, IP33 3SZ Tel: +44 (0)1284 715739 Fax: +44 (0)1284 715747	USA 8824 Fallbrook Drive Houston TX 77064 Tel: +1 (281) 940 1800 Fax: +1 (713) 559 9419
--	---

CE312_spares_shutdown_valves_svx300-500

Chalwyn's Quality Management System is approved by LRQA.

